

W3 Fan coil unit thermostat with Modbus Manual

Search for "Smart RM" or "Smart Life"
Download the Wifi App from Google Play or APP Store



Turn on the thermostat, press and hold the key combination “” and “”
Activate WIFI distribution network icon

Technical data

Voltage: AC90~240V,

Output: On/off type

Current: 3A

Display temperature range: 0~70°C

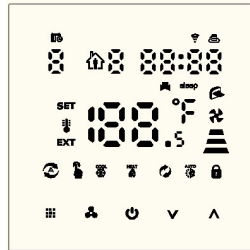
Accuracy: ±0.5°C

Work environment: -10~60°C

Setting range: 5°C - 35°C

Size: 86 * 86mm

Sensor: NTC(10k)1%



Button

Icon	Description
	Increase key: short press to adjust data, long press to check external sensor temperature (When the sensor type is 2 in the advanced option)
	Mode switching key: short press to switch between manual mode and program mode, long press to set special function parameters
	Decrease key: short press to adjust data, long press to lock/unlock keys
	Fan speed selection key: short press to set fan speed (confirm key when setting parameters), long press to enter sleep function setting
	Power key
	Press them together to enter matching wifi mode

- WIFI connection, flashing as EZ wifi connection mode
- Wifi status: Disconnection
- Child lock
- Program mode; run preset program
- Temporary manual mode
- Clock
- Holiday mode, Holiday days and temperature can be set to run in countdown mode
- Manual mode

Operation

Operation	Description
Fan Speed	Power on state ,press “” to choose fan speed (high)、(mid)、(low)、(auto animation)
Setting time	Power on state, press “” 3-5s , chose , then press “” to set time: Minute“mm”flashing, press“”or“”to adjust, press“”to next setting.as same method to set hour and week.finally press or wait 10S to exit
Timer	After connected wifi ,click “cloud” on the right corner of APP to set
Working mode	Power on state, long press “” 3-5S, short press to choose , next press to choose mode: “” is mean cooling mode, “” is mean heating mode, “” is mean ventilation mode; is mean auto mode
Manual and program mode selection	When the machine is on, press “” button to switch to manual mode/program mode Program Mode Time Temperature Settings Refer to Program Mode Settings and Operation
Control valve	When cooling mode(heating mode), indoor temperature more (lower) 1°C than setting temperature, open valve; after equal, closed valve, fan is still running. Ventilation mode (fan is not control by temperature as default) If fan be controlled by temperature, then valve and fan will be closed.
Locked function	long press to lock/unlock keys
Alarm	E1 : inner sensor alarm E2 : external sensor alarm
Sleep mode	Power on state, long press , is flashing, short press to run it, short press to cancel Remark: Sleep mode is not available when run ventilate mode or auto mode
Manual/ Program mode	Power on state, short press “” to switch manual mode/program mode
Door card energy saving mode	The energy saving mode can be entered through the door card. When the door card is pulled out, the icon of the room card flashes. 1. Cooling mode, the temperature is automatically set to 26° C (you can set the cooling temperature after the door card is pulled out through the advanced option). The fan runs at low speed; 2. Heating mode, the temperature is automatically set to 18° C (the heating

	temperature can be set after the advanced option door card is pulled out), and the fan runs at low speed;
MODBUS communication address view	Power on state, long press enter setting interface, short to choose then press to confirm, display the MODBUS communication address of the current device

Program mode setting

Thermostat support set different time and different temperature; Compatible with 5+2,6+1,7days

Program mode type

Long press 3-5S, next short press to choose , then short press to program mode setting, use and to adjust value. After short press to set next time section setting

Time section	Icon	Time (default)	Temperature(default)
Monday to Sunday	1	06:00	20° C
	2	8:00	15° C
	3	17:30	22° C
	4	22:00	15° C

Advanced Option A

Turn off thermostat ,long press 5S to enter advanced setting option A, Short press to set next item, press“”or“”to set item data

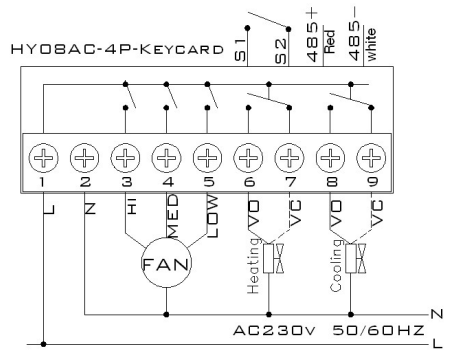
Symbol	Item	Parameter	Default
A1	Temperature	-9-+9°C	-1°C
A2	Children Lock	0:half lock; (It is available to turn on/off and adjust temperature) 1:full lock 2: disable child lock	2
A3	Setting the lowest limit temperature	5-15°C	5°C
A4	Setting the highest limit temperature	16-50°C	35°C
A5	Fan energy saving control	0: valve off,fan off 1: valve off,fan always on	0
A6	Program mode type	0=5+2 1=6+1 2=7 (everyday all the same)	0

		3=disable program mode	
A7	Choose valve output	2:2pipe 4:4 pipe	4
A8	Set temperature for external sensor	20-60°C	38°C
A9	Standby bright	0: off 1: weak bright 2: brighter	1
AA	Reset	Display Ao, press key until whole show	Ao

Advanced Option B

Turn off thermostat ,long press 5S to enter advanced setting option B, Short press to set next item, press“”or“”to set item data

PL	MODBUS communication address	Parameter	Default
B1	Sensor type	0: inner sensor 1: inner sensor with key card 2:Double sensor when choose 2, In the heating state, normally only valve is opened , and the fan is turned on when the external temperature is detected to be $\geq X$ °C. When the temperature is detected to be lower than $(X-2)$ °C, the fan is turned off.	0
B2	Key Card Type	00: S1 Connect S2 Means Put-out Card Status; Disconnection Means Pull-in Card Status 01: S1 Connect S2 Means Pull-in Card Status; Disconnect Means Put-out Card Status	00
B3	After Door Card Pull Out To Cool Temperature	Setting Range 22~32°C	26°C
B4	After Door Card Pull Out To Heat Temperature	Setting Range 10~21°C	18°C
B5	Baud Rate	0: 2400 1: 4800 2: 9600	2



Installation diagram:

